

595

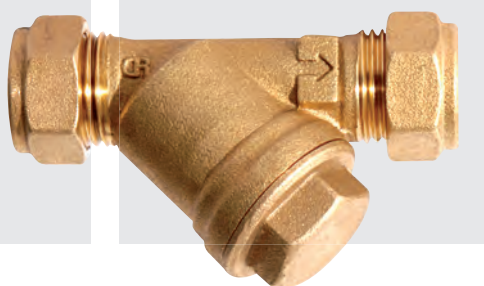
'y' pattern strainer



**WRAS**  
APPROVED  
PRODUCT

**altecnic**

# 595 'y' pattern strainer - compression ends



## Design

Altecnic provides a wide range of 'Y' pattern strainers suitable for many applications.

Using the most efficient design for debris removal, utilising generously proportioned screens, this extends the period before the screen requires cleaning.

Available in the sizes 15mm to 28mm with compression ends, also available in sizes 3/8" to 4" with BSP threaded ends.

The bodies are constructed from brass with compression ends for use with copper tube.

The strainer screens are manufactured from 304 austenitic stainless steel for good corrosion resistance in potable water and other applications.

The nitrile 'O' ring seal enables the cap to be removed and replaced easily when the screen requires cleaning and makes the strainers suitable for oil service.

## Application

The Altecnic range of 'Y' pattern strainers is designed for use within commercial and domestic applications to protect control valves and other equipment and maintain system efficiency.

The strainers are a WRAS approved product for use with potable water and with compression ends are ideally suited for installation in the supply to shower valves and controllers.

## Construction Details

Component	Material	Grade
Body	Brass	BS EN 12165 CW614N
Screen	Stainless Steel	AISI 304
'O' Rings	Nitrile Rubber	
Cap	Brass	BS EN 12165 CW614N
Olive	Copper	
Compression Nut	Brass	BS EN 12165 CW614N

Product Code	Size mm	Connection	Type
<b>Series 595 Range</b>			
AI-595015	15	copper x copper	compression
AI-595022	22	copper x copper	compression
AI-595028	28	copper x copper	compression

## E & O.E

Altecnic Ltd Mustang Drive, Stafford, Staffordshire ST16 1GW

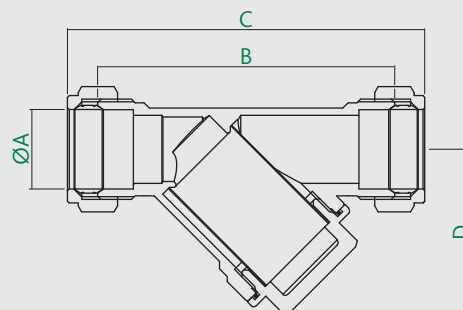
T: +44 (0)1785 218200 E: sales@altecnic.co.uk

Registered in England No: 2095101

altecnic.co.uk

AL 014 07-01-13

## Dimensions



Prod Code	A	B	C	D	kg	Kv
AI-595015	15	64	81	38	0.19	2.4
AI-595022	22	83	100	48	0.30	3.9
AI-595028	28	97	115	57	0.51	6.6

## Technical Data

Compression ends complying with BS EN 1254-2\*

Pressure - Temperature rating: 16 bar from 2 to 30°C  
6 bar at 110°C

Strainer mesh size: 15 mm 0.1 mm = 100 µm  
22 & 28 mm 0.4 mm = 400 µm

\* Use with R250 (half hard) copper tube