

322

Brass Drain Valve



Via Circonvallazione, 10
13018 Valduggia (VC), Italy
Tel: +39 0163 47891
Fax: +39 0163 47895
www.vironline.com



Brass drain valve
Threaded M (ISO 7/1R) on valve side
Threaded M (ISO 228/1) with hose union on drain side
Blow-out proof stem
O-ring + adjustable packing
TR CU 010 compliant

PN25
Free of CE marking (cat. according to Art. 4.3 Dir. 2014/68/EU)

Working conditions

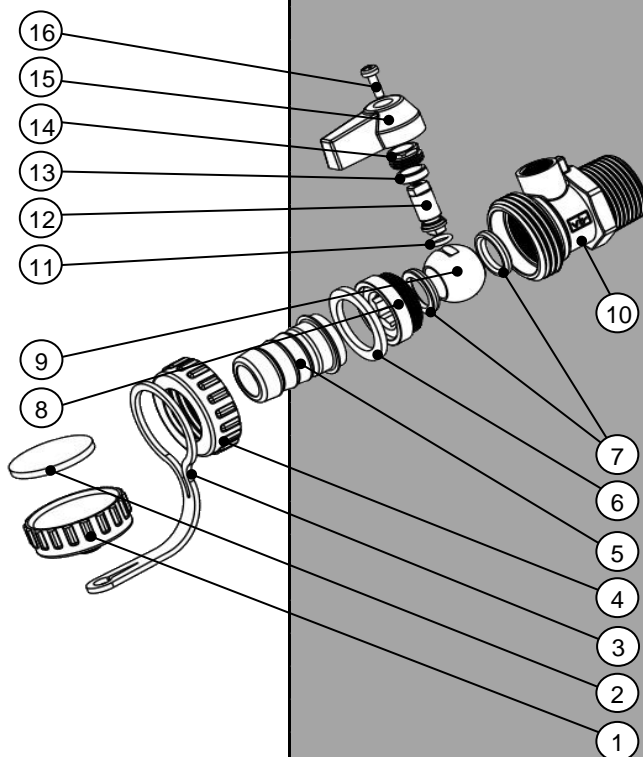
- Suitable for: water, -10°C to +100°C
below 0°C only for water with added antifreeze fluids
- Not suitable for: gases group 1 & 2, liquids group 1 (Dir. 2014/68/EU)



EAC

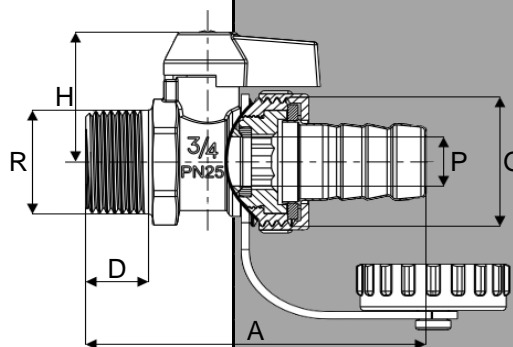
PARTLIST

N.	Part	Material	Norm
1	Cap	Brass	-
2	Tie	Rubber	-
3	Cap gasket	EPDM Perox	-
4	Hose union	Brass	-
5	Union nut	Brass	-
6	Gasket	NBR 70SH	-
7	Seat	PTFE	-
8	Ring nut	Brass	-
9	Ball	Chromium pl. brass	-
10	Body	Brass	-
11	O-ring	EPDM Perox	-
12	Stem	DZR Brass	-
13	Packing	PTFE	-
14	Packing nut	Brass	-
15	Handle	Alluminio	-
16	Screw	Zinc plated steel	-



DIMENSIONS

DN	R	G	A [mm]	D [mm]	P [mm]	H [mm]	Weight [g]
015	1/2"	3/4"	70,9	13,5	10,0	31,4	165
020	3/4"	1"	82,0	16,0	12,7	33,4	255



191105