

Installation and Operation Instruction

The **FlowCon QuickDisc®** is available in sizes :

- FlowCon QuickDisc® DN15-20 (1/2"-3/4")

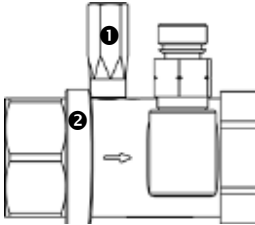


Figure 1

Installation

Prior to installing the FlowCon QuickDisc® (supplied in factory setting 1.0), the system should be properly flushed. It is recommended to position the lever handle as needed for easy access. During installation (and removal) use a spanner to hold the FlowCon QuickDisc® steady and turn the pipe as illustrated. This will avoid separation of the valve.

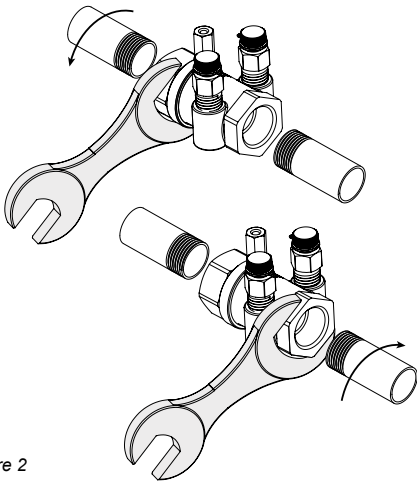


Figure 2

FlowCon QuickDisc® is as standard supplied with dual p/t plugs and bottom tap open. Bottom tap fitting is M8 supplied with capillary tube.

Setting

After installation, proper setting is made. Scale setting is located around the body of the valve indicated with 0 (=0%) for closed valve and 1 (=100%) for fully open valve. In between 0 and 1, nine stepless settings are indicated. Use the flow table to find proper setting based on required flow. Multiple passes are generally required to get the system in balance as the adjustment of each new valve affects the pressure drop and flow through the previously adjusted valves. A meter kit is available for flow verification.

Memory stop

When all valves have been correctly adjusted, the memory stop should be set to prevent unintentional changes in valve setting.

1. Turn the lever handle **1** counter-clockwise a couple of turns to fully loosen setting and get above memory stop ring.
2. Loosen the memory stop ring **2** by turning it clockwise. It is important that the narrow part of the ring is same-sided as the lever handle.
3. Turn the lever handle clockwise all the way in and turn the memory stop ring clockwise to lock the stop position - do not use tools as this may damage the ring.
4. The lever handle can now be moved from closed (0%) to set position. When moving the lever handle, it is recommended to hold back on the memory stop ring.

Shut off function

The built-in Shut off function is activated when the lever handle is moved to closed (0%) position.

Capillary tube

Capillary tube is as standard supplied with the DPCV valve. Do not damage the capillary tube by compressing or bending the tube with a bending radius below 20 mm (3/4"). Capillary tube is to be finger mounted - DO NOT OVER TIGHTEN. Capillary tube is always fitted in bottom tap in the FlowCon QuickDisc®.

General Assembly Drawing FlowCon QuickDisc®

- A: Valve housing
- B1: P/t plug (2 pcs.)
- B2: Plug and gasket (2 pcs.)
- C: Capillary tube incl. M8 fittings.

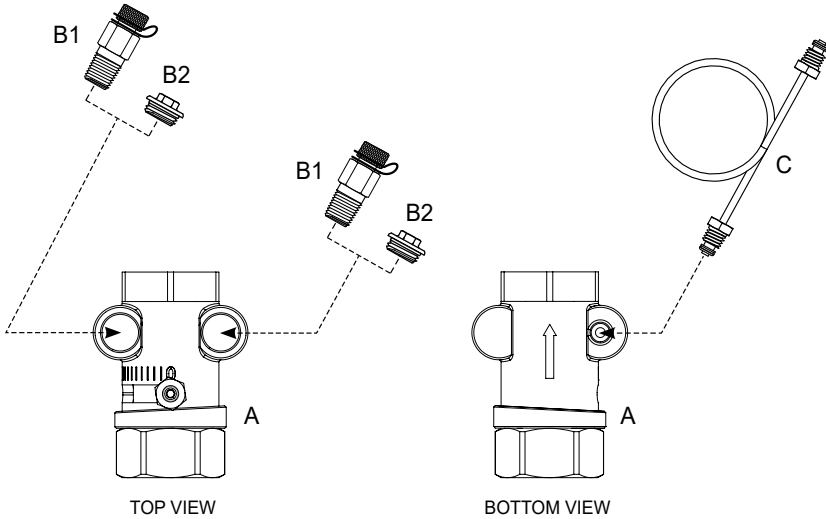


Figure 3

TOP VIEW

BOTTOM VIEW