

# FlowCon Partner Ball

**Ball Valve Female-Female**  
**15-50 mm / 1/2"-2"**



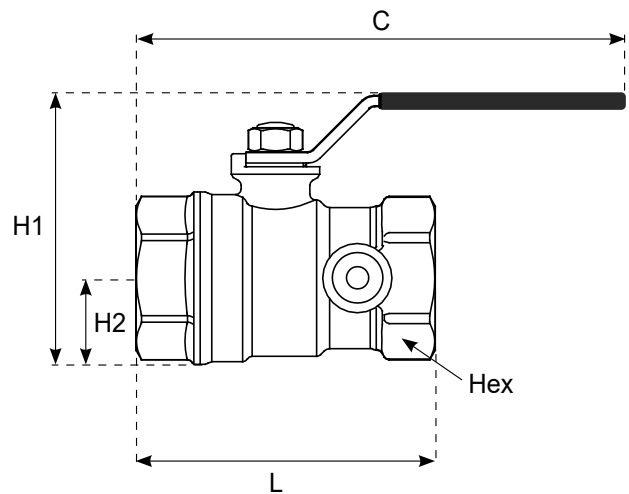
## SPECIFICATIONS

Pressure rating:	3500 kPa / 500 psi
Media temperature:	-20°C to +120°C / -4°F to +248°F
Material:	
- Housing:	Brass CW617N
- Stem:	Brass CW617N with double O-ring seal
- Ball:	Brass CW617N (chrome plated)
- Nut:	Anti-corrosive coated with guarantee seal
- Sealing:	PTFE
- Handle:	Steel lever with anti-corrosive coating
End connections:	Fixed female ISO
Body taps:	1/4" ISO

## DIMENSIONS AND WEIGHT (NOMINAL)

Model no.	Valve size	L	H1	H2	C	Hex	Weight <sup>1</sup>	Kv/Cv
	mm (in)	mm (in)	mm (in)	mm (in)	mm (in)	mm (in)	kg (lb)	m <sup>3</sup> /hr (GPM)
PBV.E.0.0.I	15 (1/2)	59 (2.32)	48 (1.89)	15 (0.59)	106 (4.17)	25 (0.98)	0.20 (0.44)	10.2 (11.8)
PBV.F.0.0.I	20 (3/4)	69 (2.72)	56 (2.20)	18 (0.71)	133 (5.24)	32 (1.26)	0.33 (0.73)	18.5 (21.5)
PBV.H.0.0.I	25 (1)	81 (3.19)	64 (5.52)	23 (0.91)	149 (5.87)	40 (1.57)	0.50 (1.10)	36.3 (42.1)
PBV.J.0.0.I	32 (1 1/4)	81 (3.19)	79 (3.11)	26 (1.02)	147 (5.79)	46 (1.81)	0.51 (1.24)	41.0 (47.6)
PBV.K.0.0.I	40 (1 1/2)	86 (3.38)	104 (4.09)	40 (1.58)	173 (6.81)	-	0.76 (1.68)	120 (139)
PBV.L.0.0.I	50 (2)	99 (3.90)	120 (4.72)	50 (1.97)	195 (7.68)	-	1.20 (2.65)	140 (162)

Note 1: Weight does not include any plug in port 1 or 2.



## MODEL NUMBER SELECTION

**PBV . . . . . I**

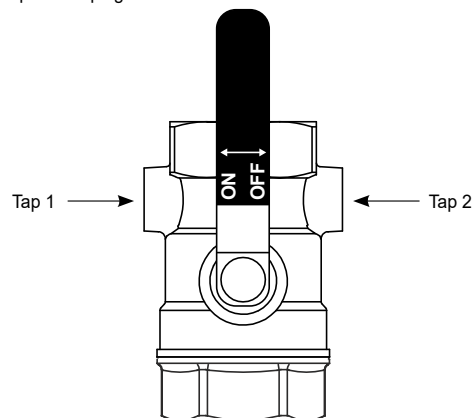
Insert size of valve:  
**E**=15 mm (1/2")   **F**=20 mm (3/4")   **H**=25 mm (1")   **J**=32 mm (1 1/4")   **K**=40 mm (1 1/2")   **L**= 50 mm (2")

Insert plug requirement for tap 1:  
**O**=none (standard)  
**P**=plug  
**B**=pressure/temperature plug  
**A**=blowdown

Insert plug requirement for tap 2:  
**O**=none (standard)  
**P**=plug  
**B**=pressure/temperature plug  
**C**=Capillary tube (1/4" x M8 thread)

Connections standard:  
**I**=ISO (standard)

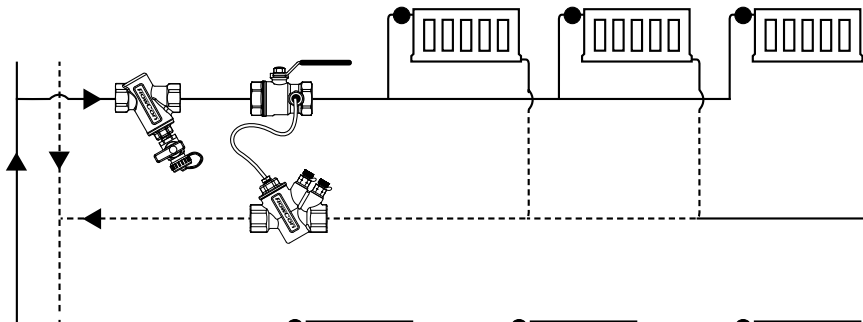
Example: PBV.E.B.B.I=FlowCon Ball DN15 (1/2") female-female threaded incl. 2 pressure/temperature plugs.



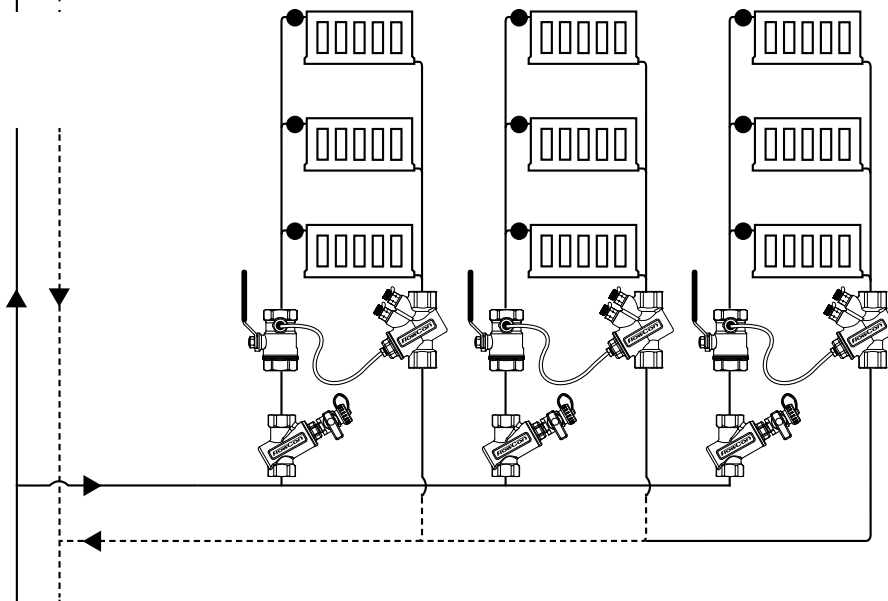
## ACCESSORIES

- ACC00210: Capillary tube with fittings and adaptor for connection to FlowCon standard body taps.
- ACC00121: Union M8 to 1/4" adaptor according to ISO 7.1 - compatible with FlowCon standard body taps.
- ACC913302: Blowdown for 1/4" body tap.
- ACC00101: P/t plug for 1/4" body tap.
- ACC1B03000: Plug for 1/4" body tap.

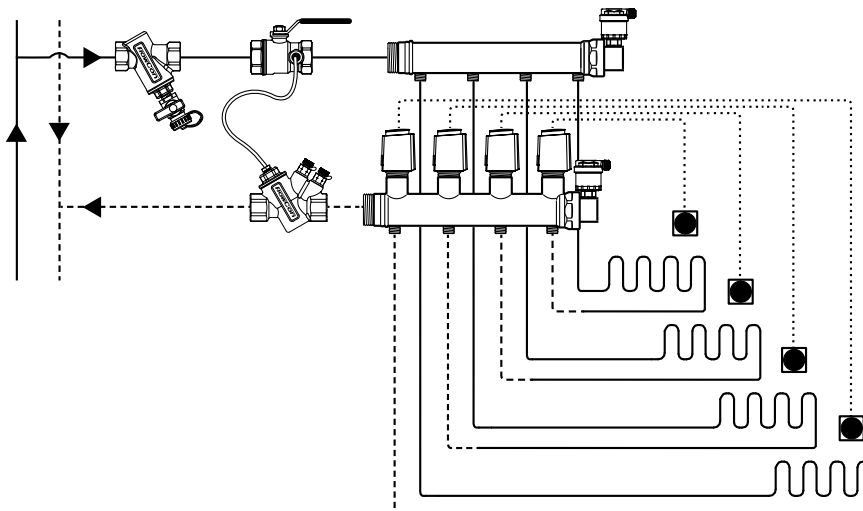
## APPLICATION EXAMPLES



FlowCon SDP mounted with FlowCon Partner Ball on the branch in a 2-pipe heating system.



FlowCon SDP mounted with FlowCon Partner Ball on the riser in a 2-pipe heating system.



FlowCon SDP mounted with FlowCon Partner Ball on a manifold in an underfloor heating system.

## UPDATES

**For latest updates please see [www.flowcon.com](http://www.flowcon.com)**

FlowCon International can accept no responsibility for possible errors in any printed material.  
All rights reserved.