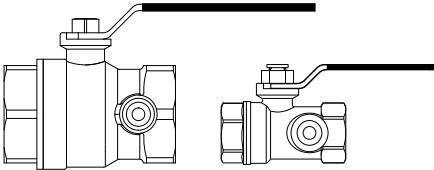


Installation and Operation Instruction

The **FlowCon Partner Ball** is available in sizes DN15-50 (1/2"-2").



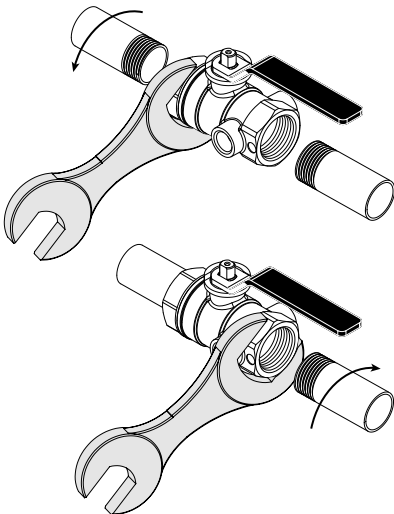
FlowCon Partner Ball is as standard supplied with taps open. Body tapping fittings are p/t plugs without collar, plug and gasket, 1/4" to M8 adaptor (to capillary tube) or blowdown valve.

Capillary tube

Capillary tube is as standard supplied with the DPCV valve. Remember to order the required 1/4" to M8 adaptor. Do not damage the capillary tube by compressing or bending the tube with a bending radius below 20mm (3/4"). Capillary tube is to be finger mounted - **DO NOT OVER TIGHTEN**. Capillary tube is always fitted in tap 2 in the FlowCon Partner Ball using the 1/4" to M8 adaptor.

Installation

Prior to installing the FlowCon Partner Ball, the system should be properly flushed. It is recommended to position the handle as needed for easy access. During installation (and removal) use a spanner to hold the FlowCon Partner Ball steady and turn the pipe as illustrated. This will avoid separation of the valve.



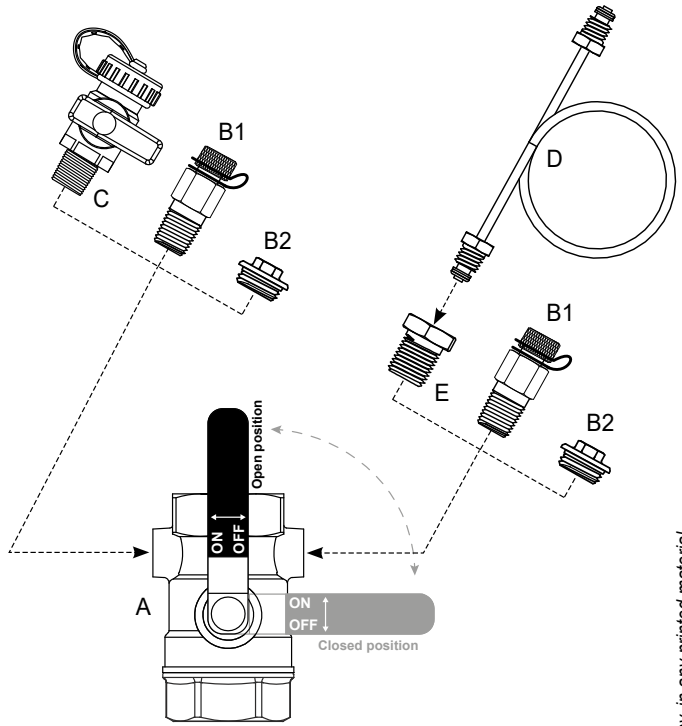
With handle position equal to flow direction, the FlowCon Partner Ball is open. With the handle positioned crosswise the flow direction, the FlowCon Partner Ball is closed.

FlowCon Partner Ball 15-50 mm (1/2"-2")

1H95050 - 04/2019

General Assembly Drawing FlowCon Partner Ball

- A: Valve housing
- B1: P/t plug (2 pcs.)
- B2: Plug and gasket (2 pcs.)
- C: Blowdown valve
- D: Capillary tube incl. M8 fittings
- E: 1/4" to M8 adaptor



FlowCon International assumes no responsibility for mistakes, if any, in any printed material.