

FlowCon Partner Valves



Partner Valves

FlowCon offers a variety of partner valves to compliment the FlowCon DPCVs. The partner valves can either serve purely as connection point for the capillary tube or be a multi-purpose point.

The FlowCon Partner valves are grouped in three: isolation valves, manual flow regulation valves and automatic flow regulation valves.

With the Partner valve range you will always be able to find an ideal partner connection to any FlowCon DPCV valve.

- System protection by shielding the remaining system against pressure fluctuations potentially causing noise, unstable control and poor balancing.
- Flexible due to wide range of partner solutions matching any requirement and all FlowCon DPCVs.



FlowCon EDP.1 with FlowCon QuickDisc®

FlowCon Partner Valves

Differential Pressure Control Valves

FlowCon Partner Ball: Isolating valve with built-in connection point. Easy isolation with flow control pushed to elsewhere in the system.

Size: Threaded DN15-DN50, 1/2"-2"

Connects with FlowCon SDP, FlowCon EDP and FlowCon ADP and is often used in applications, where isolation is required and flow regulation is done directly on the terminal units.



FlowCon Partner Globe: Static balancing valve with isolation, flow regulation and flow verification.

Size: Flanged DN65-DN300, 2 1/2"-12"

The flow adjustment and isolation feature makes it the perfect partner for FlowCon PIM-DP on risers and branches.



FlowCon QuickDisc®: Static balancing valve with a revolutionary ceramic disc concept requiring no extra pipe length. Simple setting and flow verification.

Size: Threaded DN15-DN20, 1/2"-3/4"

Connects with FlowCon SDP and FlowCon EDP.1 and offers venturi-based flow verification.



FlowCon E-JUST /

FlowCon Composite:

Dynamic balancing valve with flow regulation and flow verification and offers adjustable max. flow control regardless of load conditions and pressure fluctuations.

Size: Threaded DN15-DN50, 1/2"-2"

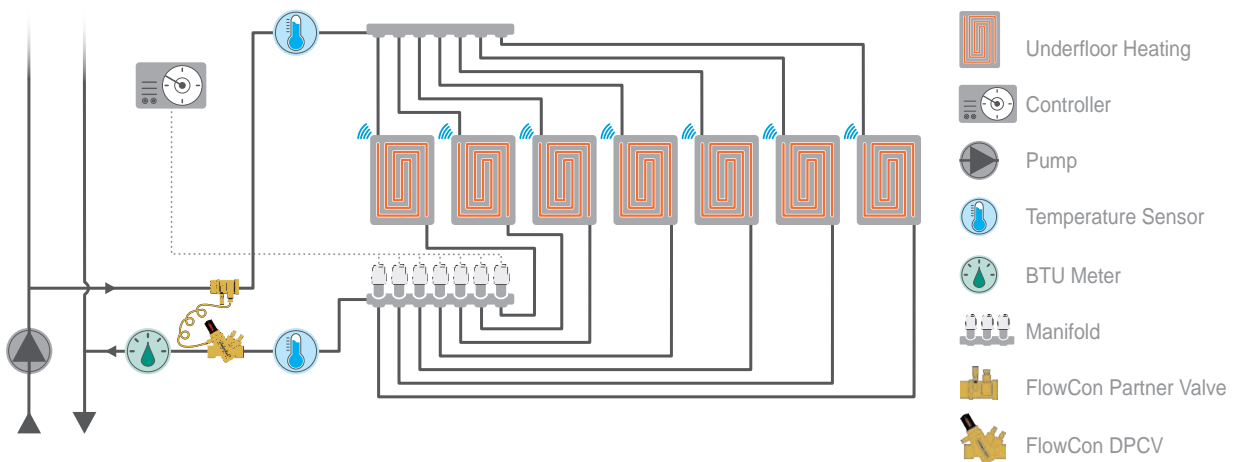
Connects with FlowCon SDP and FlowCon EDP preventing any noise and overflow in the controlled sub-circuit.



For further information visit www.flowcon.com

Application Example

Underfloor Heating System with Differential Pressure Control.



FlowCon
international

A Griswold Controls LLC./FlowCon International Company

www.flowcon.com

DENMARK • DUBAI • USA • CHINA • SINGAPORE

