

FIVC Metering Station

Stainless Steel – PN 16 – Wafer – EN 1092-2



FOP series

Technical data

Main features and materials

- Body: Stainless Steel
- Extension rod: Stainless Steel
- Test points: DZR Brass
- USP: Upstream/downstream identification colors for test points.
Horizontal and vertical installation.
Accurate flow measurement
Cost and maintenance efficient

Field of applications

- Temperature range: -20 to 120 °C
- Max. working pressure: 16 bar
- Heating and chilled water HVAC systems

Description

FIVC Metering Station Valve is a precision manufactured product that has the purpose to measure the accurate water flow in HVAC systems. With its robust design, this Metering Station can fit between many sizes of EN 1092-2 flanges. In order to be able to identify upstream and downstream ports, two different colors are used for the integrated orifice test points (Upstream: Red - Downstream: Blue).

Please note that the fluid to be transported is limited to non-hazardous Group 2 liquids and on no account must the

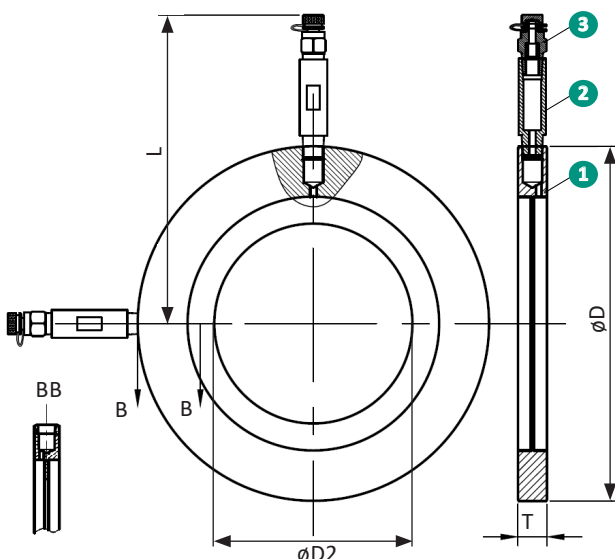
metering station be used on Group 1 gases, Group 1 liquids and Group 2 gases.

Declaration

The product has been inspected and tested in accordance with the Sound Engineering Practice SEP.

Acc. to the European PED Directive No 2014/68/EU, dated 15/05/2014, the product is exempted from CE marking (Cf. Art. 4.3).

Dimensions



Product Information

Product code	Size (DN)	L*	ØD*	ØD2*	T*	CV (gal/)	Kv (m ³ /h)	Kg
FOP050ST16511	50	135.5	108	39	20	55	47.5	1.1
FOP065ST16511	65	145	127	54	20	103	88.6	1.3
FOP080ST16511	80	153.3	143.5	65	20	176	150.6	1.7
FOP100ST16511	100	163.3	163.5	84.05	20	328	281.1	2.2
FOP125ST16511	125	178.3	193.5	103	20	384	328.8	3.3
FOP150ST16511	150	191.5	220	125.2	20	557	477.5	3.6
FOP200ST16511	200	219.8	274.5	164	20	964	826	5.5
FOP250ST16511	250	247.8	332.5	202.5	20	1421	1218	6.1
FOP300ST16511	300	274	385	243.5	20	2094	1794	11
FOP350ST16511	350	304	445	270	20	2484	2128.3	13.8
FOP400ST16511	400	329	495	308	20	3228	2765.8	16.8
FOP450ST16511	450	359	555	342	30	3939	3375.4	30.8
FOP500ST16511	500	390	617	388	30	5143	4407.1	33
FOP600ST16511	600	448.5	734	478	30	8007	6860.9	43.5

*Dimensions are in millimeters

Product Specification

N°	Name	Material
1	Body	Stainless Steel SS 304
2	Extension rod	Stainless Steel SS 304
3	Test point	DZR Brass

FIVC Metering Station

Stainless Steel – PN 16 – Wafer – EN 1092-2

Flowrate Measurement Graph

