

FIVC Metering Station

Stainless Steel – PN 25 – Wafer – EN 1092-2



FOP series

Technical data

Main features and materials

- Body: Stainless Steel
- Extension rod: Stainless Steel
- Test points: DZR Brass
- USP: Upstream/downstream identification colors for test points.
Horizontal and vertical installation.
Accurate flow measurement
Cost and maintenance efficient

Field of applications

- Temperature range: -20 to 120 °C
- Max. working pressure: 25 bar
- Heating and chilled water HVAC systems

Description

FIVC Metering Station Valve is a precision manufactured product that has the purpose to measure the accurate water flow in HVAC systems. With its robust design, this Metering Station can fit between many sizes of EN 1092-2 flanges. In order to be able to identify upstream and downstream ports, two different colors are used for the integrated orifice test points (*Upstream: Red - Downstream: Blue*).

Please note that the fluid to be transported is limited to non-hazardous Group 2 liquids and on no account must the

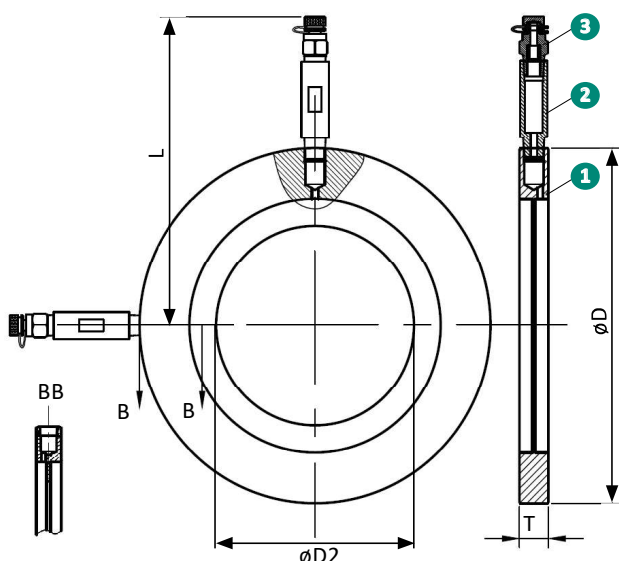
metering station be used on Group 1 gases, Group 1 liquids and Group 2 gases.

Declaration

The product has been inspected and tested in accordance with the Sound Engineering Practice SEP.

Acc. to the European PED Directive N° 2014/68/EU, dated 15/05/2014, the product is exempted from CE marking (Cf. Art. 4.3).

Dimensions



Product Information

Product code	Size (DN)	L*	ØD*	ØD2*	T*	CV (gal/min)	Kv (m³/h)	Kg
FOP050ST25511	50	135.5	108	39	20	55	47.5	1.1
FOP065ST25511	65	145	127	54	20	103	88.6	1.3
FOP080ST25511	80	152.5	142	65	20	176	150.6	2
FOP100ST25511	100	165.5	168	84	20	328	281.1	2.5
FOP125ST25511	125	178.5	194	103	20	384	328.8	3.3
FOP150ST25511	150	193.5	224	125.2	20	557	477.5	3.8
FOP200ST25511	200	223.5	284	164	20	964	826	5.8
FOP250ST25511	250	251.5	340	202.5	20	1421	1218	6.5
FOP300ST25511	300	281.5	400	243.5	20	2094	1794	12
FOP350ST25511	350	310	457	270	20	2484	2128.3	14.5
FOP400ST25511	400	338.5	514	308	20	3228	2765.8	18
FOP450ST25511	450	363.5	564	342	30	3939	3375.4	31.5
FOP500ST25511	500	393.5	624	388	30	5143	4407.1	33.5
FOP600ST25511	600	446.5	730	478	30	8007	6860.9	43.5

*Dimensions are in millimeters • The CV and KV values are related to the differential pressure.

Product Specification

N°	Name	Material
1	Body	Stainless Steel SS 304
2	Extension rod	Stainless Steel SS 304
3	Test point	DZR Brass

FIVC Metering Station

Stainless Steel – PN 25 – Wafer – EN 1092-2

Flowrate Measurement Graph

