

FIVC Dual Plate Check Valve

Ductile Iron – PN 25 – Wafer – EN 1092-2



FCH series

Technical data

Main features and materials

- Body: Ductile Iron
- Disc: Stainless Steel
- Spring: Stainless Steel
- Seat: EPDM
- Finish: RAL 5015 (min. 250 micron)
- USP: Silent check valve; Prevents the water hammer Compact settlement Cost and maintenance efficient
- Pressure test: API 598 DIN 3230
- Dimensions: Face-to-Face acc. to DIN 3202 K3 (EN 558-1 row 16)

Field of applications

- Max. temperature: -10 to 120 °C
- Max. working pressure: 25 bar

- Industrial Technologies
- Hot and cold water plants
- Heat and refrigerating, engineering and air-conditioning

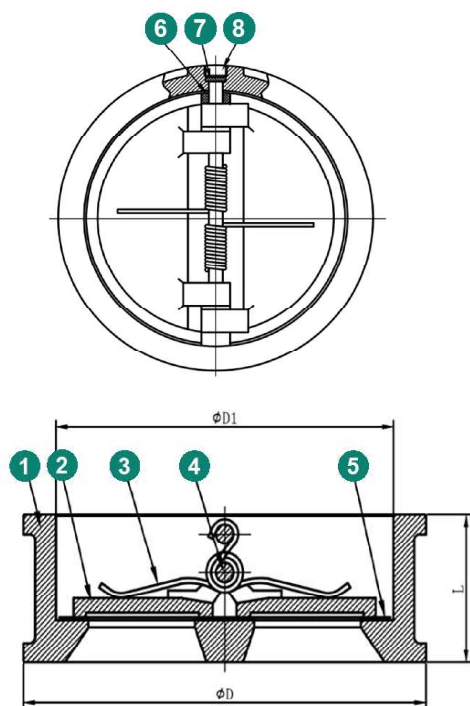
Description

FIVC Dual Plate Wafer Check Valve is manufactured in accordance with the most severe product norms. With its innovative construction, the valve features several benefits and provides cost-, maintenance, and installation efficiency. The valve is known for compact settlement and does prevent the water hammer phenomenon, hence belongs to the silent type of check valves.

Declaration

The product has been inspected and tested in accordance with the European PED Directive N° 2014/68/EU, Annex III, Module H, dated 15/05/2014 and is CE marked.

Dimensions



Product Information

Product code	Size (DN)	øD*	øD1*	L*	Kg
FCH065N25DP210	65	129	80	46	2.5
FCH080N25DP210	80	144	98	64	3.9
FCH100N25DP210	100	164	117	64	4.7
FCH125N25DP210	125	196	145	70	6.5
FCH150N25DP210	150	226	172	76	9.3
FCH200N25DP210	200	286	221	89	16.4
FCH250N25DP210	250	343	275.5	114	25.9
FCH300N25DP210	300	403	325.5	114	38
FCH350N25DP210	350	460	361	127	61.5
FCH400N25DP210	400	517	412	140	77
FCH450N25DP210	450	567	468	152	105.8
FCH500N25DP210	500	627	515	152	135
FCH600N25DP210	600	734	624	178	183

Product Specification

N°	Name	Material
1	Body	Ductile Iron GGG 40
2	Disc	Stainless Steel CF8
3	Spring	Stainless Steel SS 304
4	Shaft	Stainless Steel SS 304
5	Seat	EPDM
6	Washer	PTFE
7	Sealing	NBR
8	Screw	RST 37.2