

9315

DZR Brass Test Point with Drain



Via Circonvallazione, 10
13018 Valduggia (VC), Italy
Tel: +39 0163 47891
Fax: +39 0163 47895
www.vironline.com



Test point with drain
Threaded M (1/4" ISO 7/1R) on valve side
Threaded M (1/2" ISO 228/1) on drain side
TR CU 010 compliant

PN25 (Max 25bar up to 110°C, max 20bar above)
Free of CE marking (cat. according to Art. 4.3 Dir. 2014/68/EU)

Working conditions

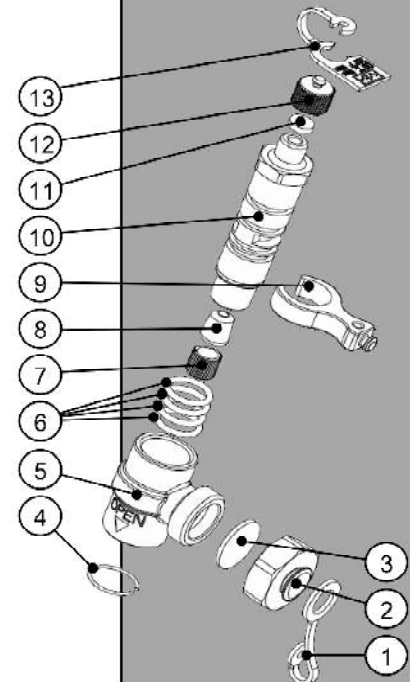
- Suitable for: water, -10°C to +130°C
below 0°C only for water with added antifreeze fluids
over 100°C only for water with added anti-boiling fluids
- Not suitable for: gases group 1 & 2, liquids group 1 (Dir. 2014/68/UE)



EAC

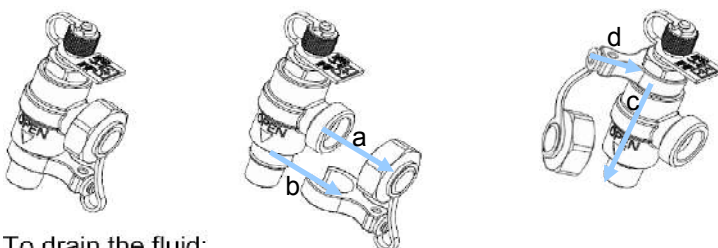
PARTLIST

N.	Part	Material	Norm
1	Tie	Silicone rubber	-
2	Drain cap	Brass	EN12164 CW617N
3	Drain cap gasket	EPDM Perox	-
4	Seeger	Stainless steel	AISI 302
5	Drain tap tube	DZR Brass	EN12165 CW602N
6	O-ring	EPDM Perox	-
7	Retaining ring	DZR Brass	EN12164 CW602N
8	Inner gasket	EPDM Perox	-
9	Safety spring	Polyamide PA-6	-
10	Drain body	DZR Brass	EN12164 CW602N
11	Cap gasket	NBR	-
12	Cap gasket	Brass	EN12164 CW617N
13	Tie	Polypropylene	-



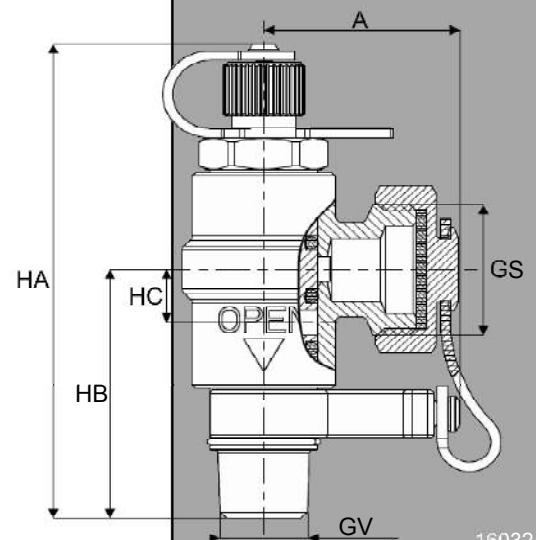
DIMENSIONS

DN	GS	GV	A	HA	HB	HC	Weight
			[mm]	[mm]	[mm]	[mm]	[g]
008	1/2"	1/4"	28,8	75,5	42,6	8,4	160



To drain the fluid:

- remove cap (2) and connect the draining line;
 - remove safety spring (9);
 - push down the drain tap tube (5) to release the fluid;
 - to lock the drain place the spring (9) back above the tap (5).
- To close the drain follow above instructions in inverse order.



160324