

790

Cast Iron Silent Check Valve



Via Circonvallazione, 10
13018 Valduggia (VC), Italy
Tel: +39 0163 47891
Fax: +39 0163 47895
www.vironline.com

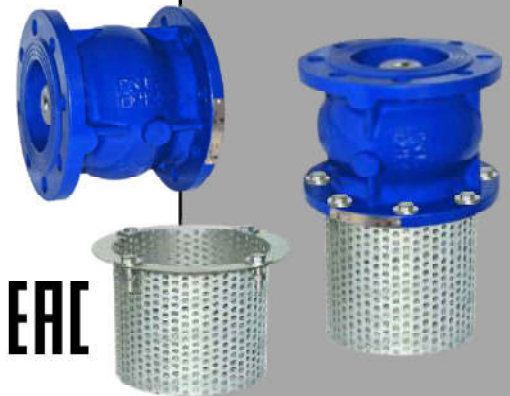


Cast iron GG25 silent check valve
Flanged PN16 according to EN1092-2 PN16 (ex DIN2533)
Optional zinc plated strainer with hole diameter 6mm
To be installed horizontally or vertically (with upward flow)
Minimum opening pressure 0,2bar
TR CU 010 compliant

PN16
Free of CE marking (cat. according to Art. 4.3 Dir. 2014/68/EU)

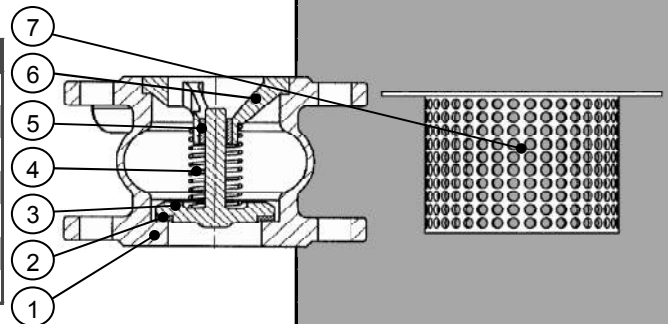
Working conditions

- Suitable for: water, 0°C to +80°C
- Not suitable for: gases group 1 & 2, liquids group 1 (Dir. 2014/68/UE)



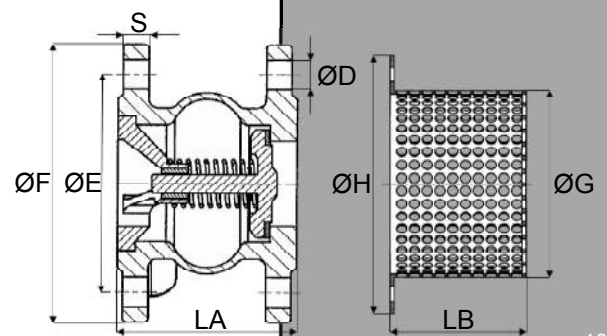
PARTLIST

N.	Part	Material	Norm
1	Body	Cast iron	GG25
2	Seal	EPDM	-
3	Disc	Cast iron	GGG40
4	Spring	Stainless steel	SS316
5	Bushing	PTFE	-
6	Guide	Cast iron	GGG40
7	Strainer	Zinc plated steel	-



DIMENSIONS

DN	ØF [mm]	ØE [mm]	S [mm]	NxØD [mm]	LA [mm]	ØH [mm]	ØG [mm]	LB [mm]	Valve weight [kg]	Strainer weight [kg]
050	165	125	16	4x19	100	156	111	80	5,7	0,6
065	185	145	17	4x19	120	176	131	100	8,7	0,8
080	200	160	17	8x19	140	192	148	120	10,8	1,0
100	220	180	18	8x19	170	212	168	150	13,5	1,4
125	250	210	19	8x19	200	242	198	175	21,0	1,7
150	285	240	21	8x23	230	276	222	200	30,0	2,7
200	340	295	22	12x23	301	332	278	250	49,0	4,1
250	405	355	24	12x26	370	385	329	300	73,3	5,5
300	460	410	25	12x26	410	445	384	350	131,0	6,0



160127