

INSTALLATION AND OPERATION INSTRUCTION

FlowCon UniQ™ 15-20mm

Install the FlowCon UniQ™ as called for in the design drawings. Although the performance of the valve is not affected either way, industry standards call for balancing devices to be installed on the downstream side of the terminal unit. **INSTALL THE VALVE WITH THE FLOW DIRECTIONAL ARROW POINTING IN THE CORRECT DIRECTION.**

The FlowCon UniQ™ is available with fixed 20mm male ISO threaded connections fittable for DN15 EuroCone according to EN215, AnnexA, i.e. figure 1.

FlowCon UniQ™ is similarly available with female-by-female threaded connections DN15 or DN20, i.e. figure 2.

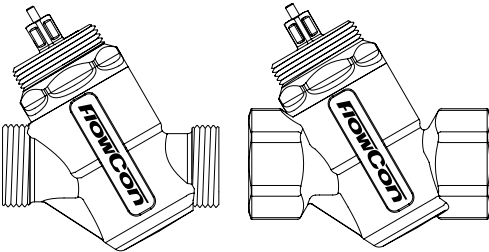


Figure 1

Figure 2

For all threaded connections please clear threads on both valve and piping of debris. Sealant such as pipe dope or teflon tape is recommended on thread sealings.

WHEN USING HEMP AS PIPE SEALANT, ENSURE NO STRANDS ARE LEFT IN THE VALVE OR PIPING.

EuroCone fittings should seal with UniQ™ housing without extra sealant.

Setting the valve

The desired flow rate is chosen by adjusting the valve (turned from setting 1.0 and up), with a special designed key for a rough setting of the valve (figure 3) or a large FlowCon adjustment wheel for a micrometer setting (figure 4). There is only one correct way to place the wheel on the valve. Make sure there is no gap between the wheel and the FlowCon UniQ™.

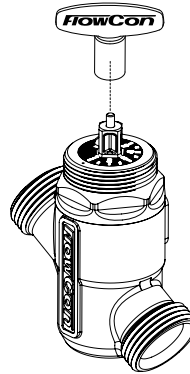


Figure 3

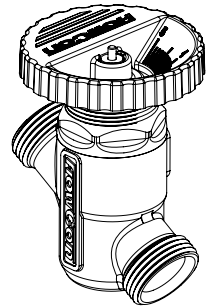


Figure 4

The key or wheel are used to adjust the scale on the top of the valve. Position is defined by a “dot” marked on the edge of the housing top. Once the correct flow rate has been selected, the actuator can be applied. Please see specific installation instruction for selected actuator.

It is important to adjust the valve according to the setting needed BEFORE pressure is applied to the system.

FlowCon UniQ™			Setting
15/20mm · 1/2" / 3/4"			
10 ¹ -200 kPaD · 1.5'-29 psid			
I/sec	I/hr	GPM	
0.0056	20.3	0.089	1.0
0.0100	36.0	0.158	1.1
0.0157	56.7	0.249	1.2
0.0223	80.1	0.353	1.3
0.0291	105	0.461	1.4
0.0360	129	0.570	1.5
0.0426	153	0.675	1.6
0.0489	176	0.775	1.7
0.0549	198	0.869	1.8
0.0604	218	0.957	1.9
0.0657	237	1.041	2.0
0.0708	255	1.121	2.1
0.0757	273	1.199	2.2
0.0806	290	1.277	2.3
0.0856	308	1.356	2.4
0.0908	327	1.439	2.5
0.0963	347	1.526	2.6
0.1022	368	1.618	2.7
0.1084	390	1.716	2.8
0.1149	414	1.820	2.9
0.1218	439	1.930	3.0
0.1291	465	2.044	3.1
0.1365	491	2.162	3.2
0.1440	518	2.281	3.3
0.1515	546	2.400	3.4
0.1589	572	2.516	3.5
0.1658	597	2.627	3.6
0.1723	620	2.730	3.7
0.1782	642	2.823	3.8
0.1833	660	2.903	3.9
0.1874	675	2.969	4.0
0.1907	686	3.020	4.1
0.1929	695	3.056	4.2
0.1943	699	3.078	4.3
0.1947	701	3.084	4.4
0.1951	702	3.091	4.5
0.1952	703	3.092	4.6
0.1958	705	3.102	4.7
0.1976	711	3.130	4.8
0.2015	725	3.192	4.9
0.2086	751	3.305	5.0

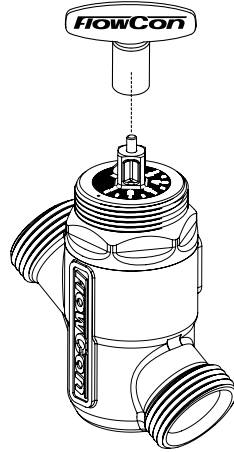


Figure 5

Accuracy: Greatest of either ±10% of controlled flow rate or ±5% of maximum flow rate.

Note 1: Min. ΔP=10 x √setting

Assembly drawing FlowCon UniQ™

- A: FlowCon UniQ™ valve
(here with 20mm male (ISO) suitable for
DN15 EuroCone)
- B: Adjustment key
- C: Adjustment wheel
- D: EuroCone union end connections
(here 15mm male)
- E: Actuator (here EV.0.2).

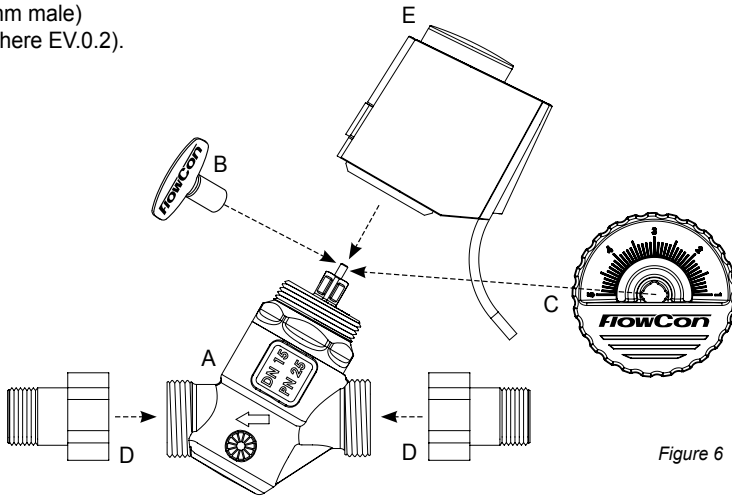


Figure 6

General

It is recommended flushing the entire pipeline. If it is not possible to flush the system unless the FlowCon UniQ™ is installed, please make sure to adjust the setting to 5.0. Water must always be suitable treated, clean and free of debris. It is recommended that a strainer be installed prior to the valve body to prevent damage or blockage due to debris. Ensure that the valve is not in the fully closed position when filling the system with water.

Warranty obligation

Failure to abide by all recommendations as per this installation and operation instruction will void warranty.

For latest updates please see www.flowcon.com.

com

