

# FlowCon SM Weather Box

*High Protection for FlowCon SM Actuator*

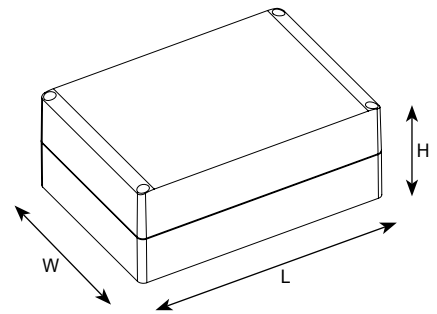


## SPECIFICATIONS

Ambient temperature:	-40°C to +60°C / -40°F to +140°F (briefly up to +80°C / +176°F is acceptable)
Material:	
- Housing bottom:	ABS
- Housing top:	Polycarbonate
- Housing screws, external:	Polyamide
- Bracket:	Stainless steel AISI 304
- Screws, internal:	Stainless steel AISI 304
- Washers, internal:	Stainless steel AISI 304
- Locknut, internal:	Stainless steel AISI 304
- Sealing:	Silicone
- Cable gland:	Polyamide, PA66
Protection:	IP67, no upside-down mounting
Impact strength:	IK06
Cable gland:	M16x1.5
Color:	Grey

## DIMENSIONS AND WEIGHTS (NOMINAL)

Model no.	Length mm (in)	Width mm (in)	Height mm (in)	Weight kg (lb)
ACC4000	250 (9.84)	175 (6.89)	100 (3.94)	0.70 (1.54)



## MODEL NUMBER SELECTION

SM Weather Box=**ACC4000**

The SM Weather Box comes fully mounted with the requested SM actuator inside. Please note that SM actuator must be order separately. Hereafter, fitting on any SM valve is easily done on site.

## UPDATES

For latest updates please see [www.flowcon.com](http://www.flowcon.com)

FlowCon International can accept no responsibility for possible errors in any printed material.  
All rights reserved.