

Installation and Operation Instruction

The **FlowCon Green.3** valve is female/female threaded and comes in two different sizes:

- FlowCon Green.3 DN40 (1½")
- FlowCon Green.3 DN50 (2")

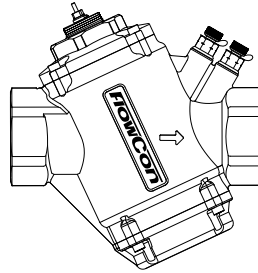


Figure 1

IMPORTANT: Do not disassemble. The FlowCon Green.3 is built as a complete valve and only trained FlowCon personnel can perform repair. Unauthorized disassembly may result in calibration defects or damaged part and will void warranty.

General Assembly Drawing FlowCon Green.3

- A: Valve housing
B: FlowCon actuator
C1: P/t plug (2 pcs.)
C2: Plug (2 pcs.)
D: Adjustment key.

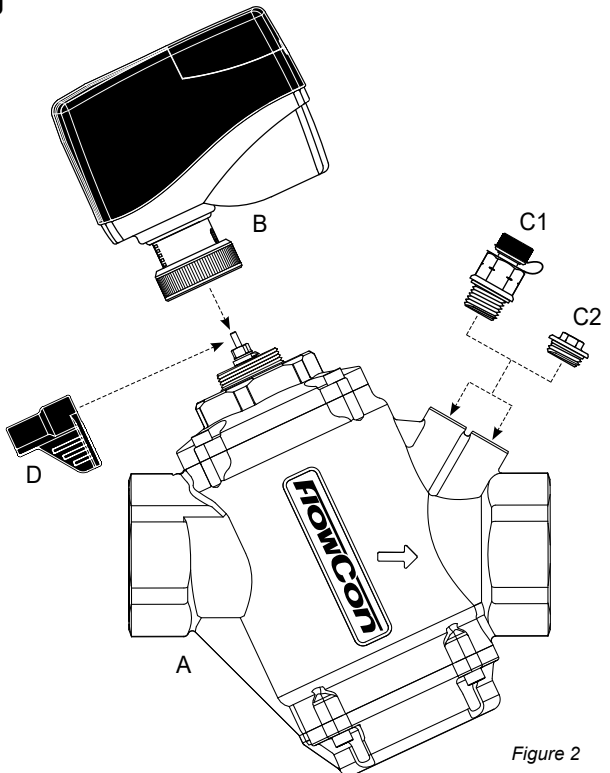


Figure 2

FlowCon Green.3

1B95091 - 01/2019

Setting and Installation

Prior to installing the FlowCon Green.3, the system should be properly flushed. If it is not possible to flush the system before Green.3 installation, please make sure to adjust setting to 5.0 and then flush.

The desired flow rate is hereafter set by adjusting the valve (turned from setting 1.0 and up) with a special adjustment key (i.e. figure 3). Scale setting is located on top of the valve numbered 1 to 5 including in-between positions indicated by dots (one dot for every 0.1 position). The specific position is defined by an indication mark on top of the housing. Once flow is set, the required actuator may be applied. Please see specific installation instruction for selected actuator.

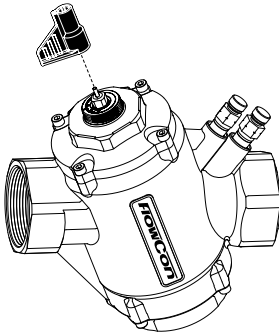


Figure 3

A micrometer setting of 3.4 as illustrated in figure 4 corresponds to a maximum flow rate of: 2.86 l/sec (45.4 GPM).

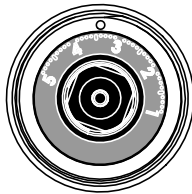


Figure 4

FlowCon Green.3			Setting	
16-600 kPaD · 2.3-87 psid				
Nominal flow rate	l/sec	l/hr	GPM	
	0.528	1900	8.36	1.0
	0.633	2278	10.0	1.1
	0.738	2655	11.7	1.2
	0.843	3033	13.3	1.3
	0.947	3410	15.0	1.4
	1.05	3787	16.7	1.5
	1.16	4163	18.3	1.6
	1.26	4537	20.0	1.7
	1.36	4909	21.6	1.8
	1.47	5279	23.2	1.9
	1.57	5646	24.8	2.0
	1.67	6011	26.4	2.1
	1.77	6372	28.0	2.2
	1.87	6730	29.6	2.3
	1.97	7083	31.2	2.4
	2.06	7432	32.7	2.5
	2.16	7776	34.2	2.6
	2.25	8115	35.7	2.7
	2.35	8449	37.2	2.8
	2.44	8777	38.6	2.9
	2.53	9098	40.0	3.0
	2.61	9413	41.4	3.1
	2.70	9721	42.8	3.2
	2.78	10021	44.1	3.3
	2.86	10314	45.4	3.4
	2.94	10599	46.6	3.5
	3.02	10875	47.8	3.6
3.10	11142	49.0	3.7	
3.17	11400	50.2	3.8	
3.24	11649	51.3	3.9	
3.30	11888	52.3	4.0	
3.37	12116	53.3	4.1	
3.43	12334	54.3	4.2	
3.48	12540	55.2	4.3	
3.54	12735	56.0	4.4	
3.59	12919	56.8	4.5	
3.64	13090	57.6	4.6	
3.68	13249	58.3	4.7	
3.72	13395	58.9	4.8	
3.76	13527	59.5	4.9	
3.79	13647	60.0	5.0	

Accuracy: Greatest of either $\pm 10\%$ of controlled flow rate or $\pm 5\%$ of maximum flow rate.

FlowCon International assumes no responsibility for mistakes, if any, in any printed material.