

AI-171 intaball

lever ball valve



WRAS
APPROVED
PRODUCT

altecnic

Al-171 intaball lever ball valve - threaded ends



Application

The Altecnic Intaball lever ball valve with threaded ends is the ideal isolation valve, for use in steel pipe systems and with threaded adaptors for a variety of other pipe materials.

Suitable for isolating individual outlets, or providing isolation for 'Y' strainers or control valves, should maintenance be required.

In larger systems they can provide isolation on heating, the primary side of HWS and cold water services and many industrial applications including air and non corrosive liquids.

Design

The Intaball brass ball valves are lever operated through 90°, with bi-directional flow.

Hard chrome plated ball for increased wear resistance.

Compact design, with PTFE body seats for reliable isolation

The valves are designed for high flow rates with minimum pressure drops.

Supplied with parallel threaded ends complying with BS EN ISO 228-1

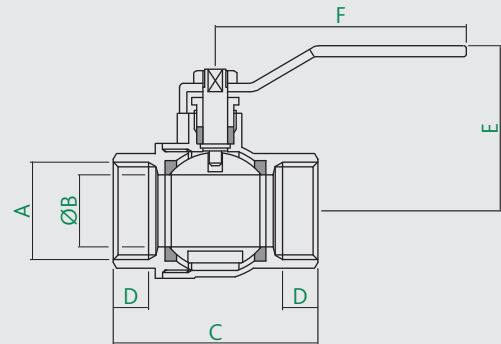
Valve are available with either a red or blue lever sleeve for visual indication of hot or cold service.

Construction Details

| Component | Material | Grade |
|---------------------|-----------------------|--------------------|
| Body | Brass - nickel plated | BS EN 12165 CW617N |
| End connection | Brass - nickel plated | BS EN 12165 CW617N |
| Ball seat | PTFE | |
| Ball | Brass - chrome plated | BS EN 12164 CW615N |
| Stem | Brass | BS EN 12164 CW614N |
| Stem retaining ring | Brass | BS EN 12164 CW614N |
| Gland packing | PTFE | |

| Product Code Blue Lever | Product Code Red Lever | Size | Connection |
|----------------------------|---------------------------|------|--------------------|
| AL-171B04 | AL-171R04 | ½" | f x f screwed iron |
| AL-171B05 | AL-171R05 | ¾" | f x f screwed iron |
| AL-171B06 | AL-171R06 | 1" | f x f screwed iron |
| AL-171B07 | AL-171R07 | 1¼" | f x f screwed iron |
| AL-171B08 | AL-171R08 | 1½" | f x f screwed iron |
| AL-171B09 | AL-171R09 | 2" | f x f screwed iron |

Dimensions



| Size | A | B* | C | D | E | F | kg |
|------|-----|----|------|------|------|-----|------|
| ½" | G½ | 15 | 50.5 | 10.5 | 46.5 | 90 | 0.20 |
| ¾" | G¾ | 20 | 61 | 12 | 60 | 90 | 0.30 |
| 1" | G1 | 25 | 71 | 13.5 | 62.5 | 115 | 0.49 |
| 1¼" | G1¼ | 32 | 83.5 | 15.5 | 72 | 130 | 0.80 |
| 1½" | G1½ | 40 | 93 | 15.5 | 78 | 130 | 1.03 |
| 2" | G2 | 50 | 112 | 19 | 91.5 | 150 | 1.64 |

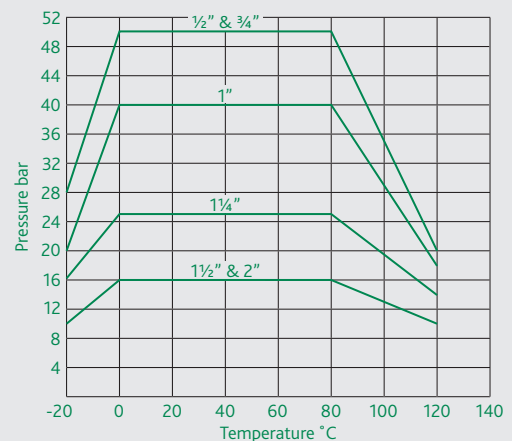
* Exceeds the full bore diameter circle specified in CEN/ 13547.

Technical Data

| | |
|-------------------|------------------------|
| Conforms to: | CEN/TS 13547 |
| Max. Temperature: | 120°C |
| Max. Pressure | Sizes ½" & ¾": 50 bar |
| | Size 1": 40 bar |
| | Size 1¼": 25 bar |
| | Sizes 1½" & 2": 16 bar |

PED directive classification Group 2 Liquids
Sizes ½" to 2" SEP

Pressure - Temperature Diagram



Installation

The valves are very simple to install with just two joints to make.

Ensure the valve with the correctly coloured lever sleeve is fitted for the service.

E & O.E

Altecnic Ltd Mustang Drive, Stafford, Staffordshire ST16 1GW

T: +44 (0)1785 218200 E: sales@altecnic.co.uk

Registered in England No: 2095101

altecnic.co.uk

AL 021 19-06-15