

# 171 & 373 intaball

butterfly handle ball valves



**WRAS**  
APPROVED  
PRODUCT

**altecnic**

# 171 & 373 intaball butterfly handle ball valves



## Application

The Altecnic Intaball butterfly handle ball valves with compression or threaded ends is the ideal isolation valve, for use in copper or steel pipe systems and with threaded adaptors for a variety of other pipe materials.

Suitable for isolating individual outlets, or providing isolation for 'Y' strainers or control valves, should maintenance be required.

In larger systems they can provide isolation on heating, the primary side of HWS and cold water services and many industrial applications including air and non corrosive liquids.

## Design

The Intaball brass ball valves with butterfly handle, operate through 90°, with bi-directional flow.

Hard chrome plated ball for increased wear resistance.

Compact design, with PTFE body seats for reliable isolation.

The valves are designed for high flow rates with minimum pressure drops.

Supplied with compression ends complying with BS EN 1252-2 for use with R250 (half hard) copper tube or parallel threaded ends complying with BS EN ISO 228-1

Valves are available with either a red or blue butterfly handles for visual indication of hot or cold service.

## Construction Details

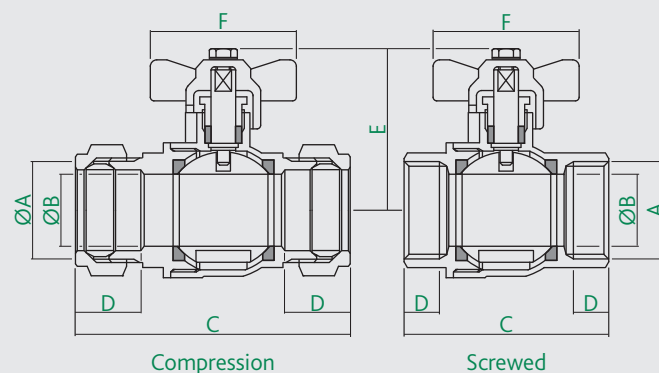
Component	Material	Grade
Body	Brass - nickel plated	BS EN 12165 CW617N
End connection	Brass - nickel plated	BS EN 12165 CW617N
Ball seat	PTFE	
Ball	Brass - chrome plated	BS EN 12164 CW617N
Stem	Brass	BS EN 12164 CW614N
Stem retaining ring	Brass	BS EN 12164 CW614N
Gland 'O' packing	PTFE	
Compression nut	Brass	BS EN 12164 CW617N
Olive	Brass	BS EN 12449 CW508L

Product Code Blue Lever	Product Code Red Lever	Size	Connection
----------------------------	---------------------------	------	------------

## Intaball Range

AL-373115	AL-373RB5	15	copper x copper
AL-373222	AL-373RB2	22	copper x copper
AL-373228	AL-373RB8	28	copper x copper
AL-171BB4	AL-171RB4	½"	f x f screwed iron
AL-171BB5	AL-171RB5	¾"	f x f screwed iron

## Dimensions



Size	A	B*	C	D	E	F	kg
DN15	15.2	15	68	8.5	43	90	0.22
DN20	22.2	20	78	8.5	47	90	0.33
DN28	28.2	25	91	8.5	57	110	0.54
½"	G½"	15	49	10.5	46	90	0.25
¾"	G¾"	20	58	12.5	50	90	0.46

\* exceeds the full bore diameter circle specified in CEN/ 13547.

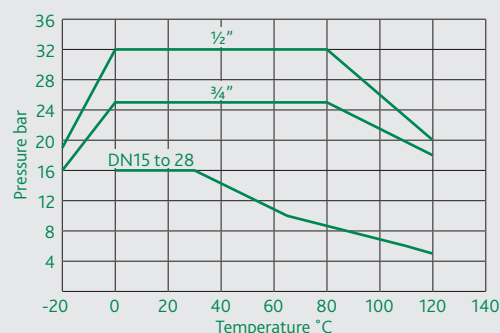
## Technical Data

Conforms to:	CEN/TS 13547
Compression Press. / Temp. Rating:	BS EN 1254-2
Max. Temperature at 16 bar:	30°C
Max. Temperature at 10 bar:	65°C
Max. Temperature at 6 bar:	110°C
Max. Temperature at 5 bar:	120°C

Screwed Max. Pressure - Size ½":	32 bar
- Size ¾":	25 bar

PED directive classification Group 2 Liquids SEP

## Pressure - Temperature Diagram



## Installation

The valves are very simple to install with just two joints to make.

Ensure the valve with the correctly coloured butterfly handle is fitted for the service.

## E & O.E

Altecnic Ltd Mustang Drive, Stafford, Staffordshire ST16 1GW

T: +44 (0)1785 218200 E: sales@altecnic.co.uk

Registered in England No: 2095101

altecnic.co.uk

AL 023 28-03-11